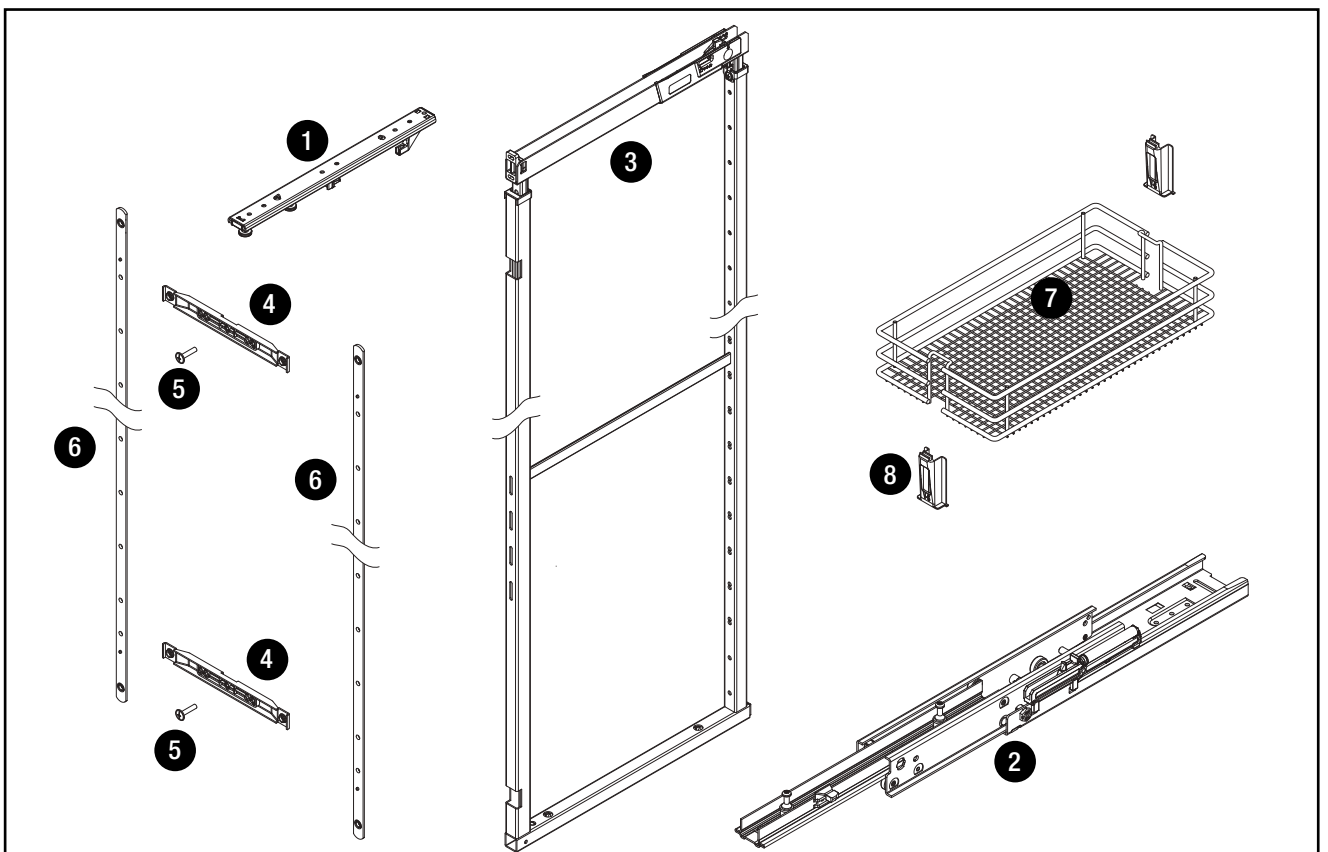
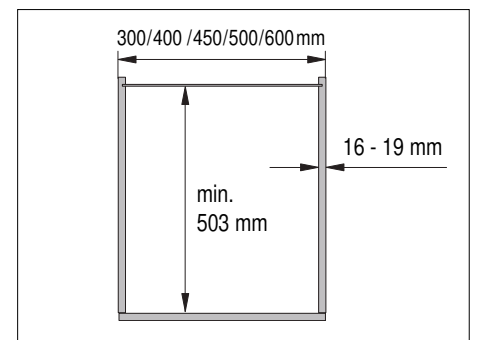
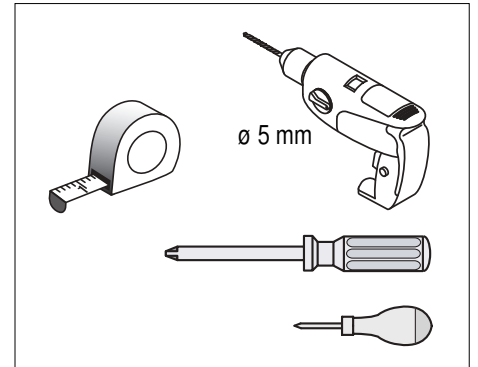
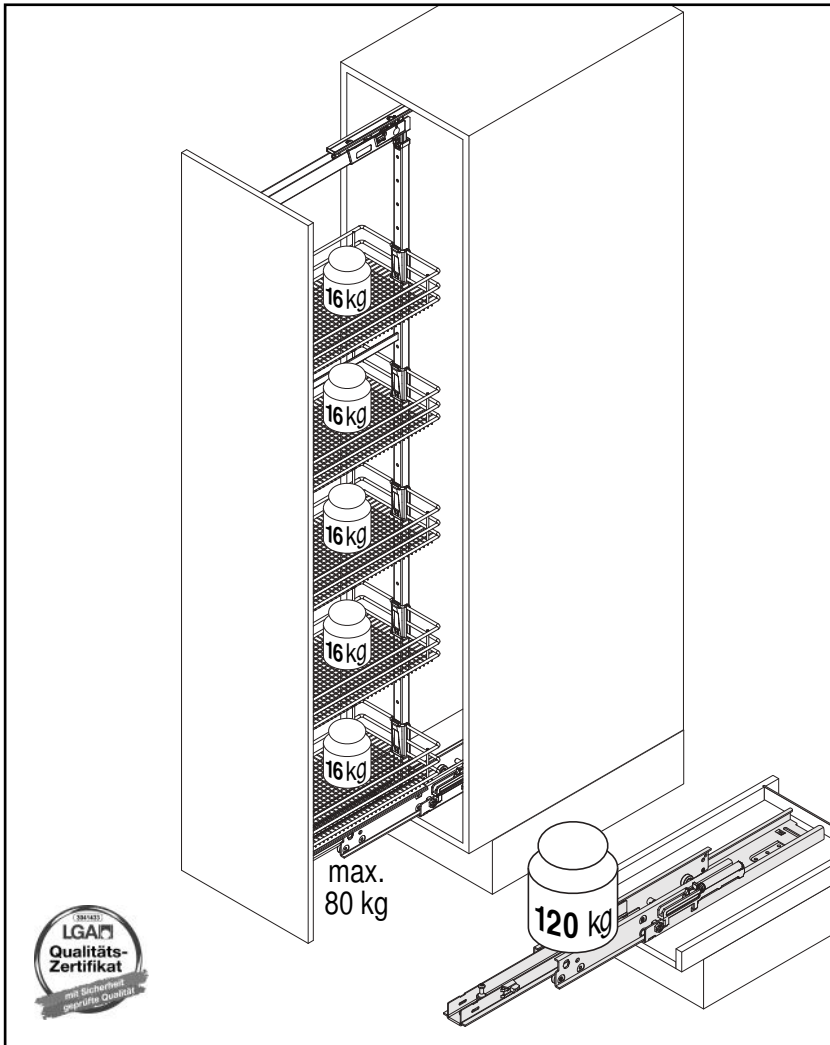
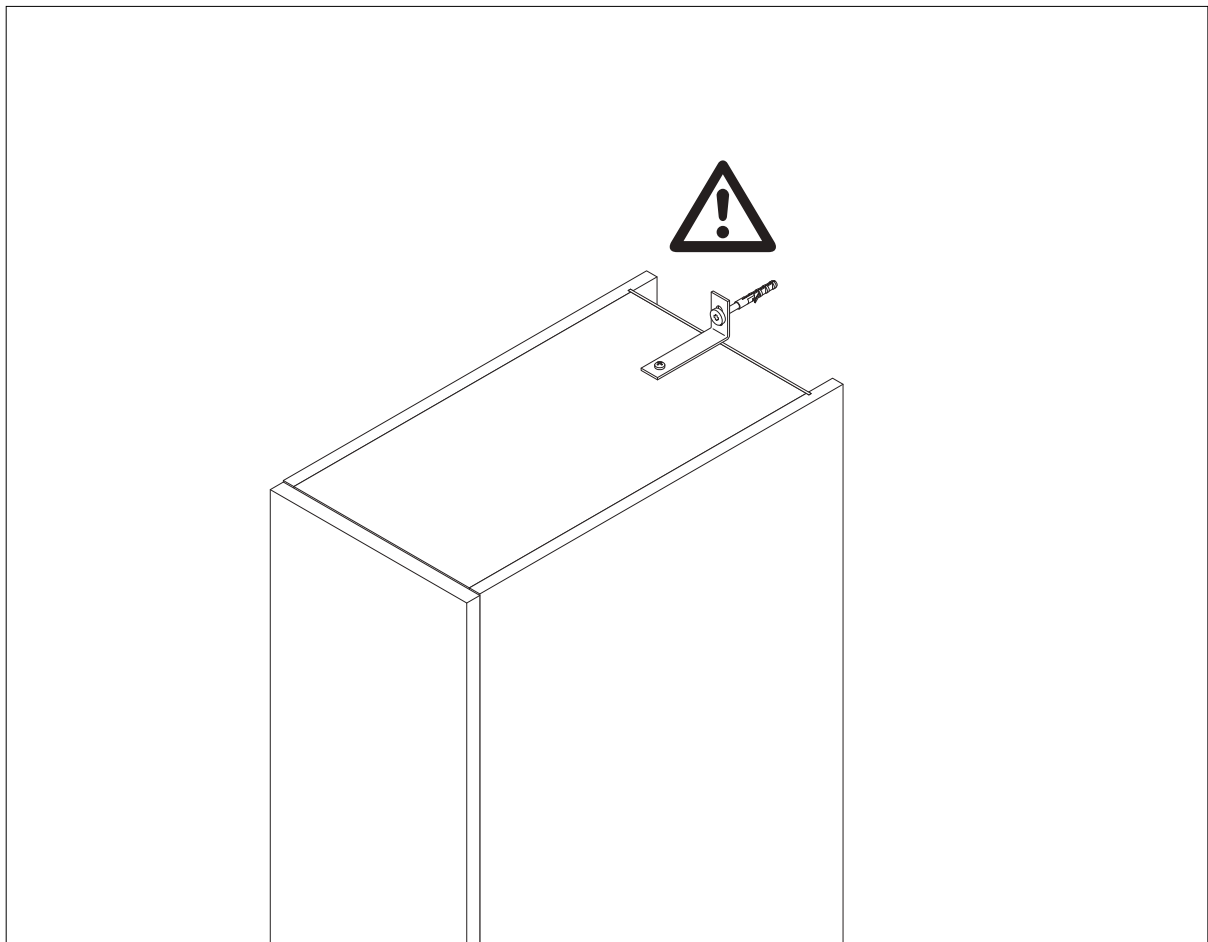
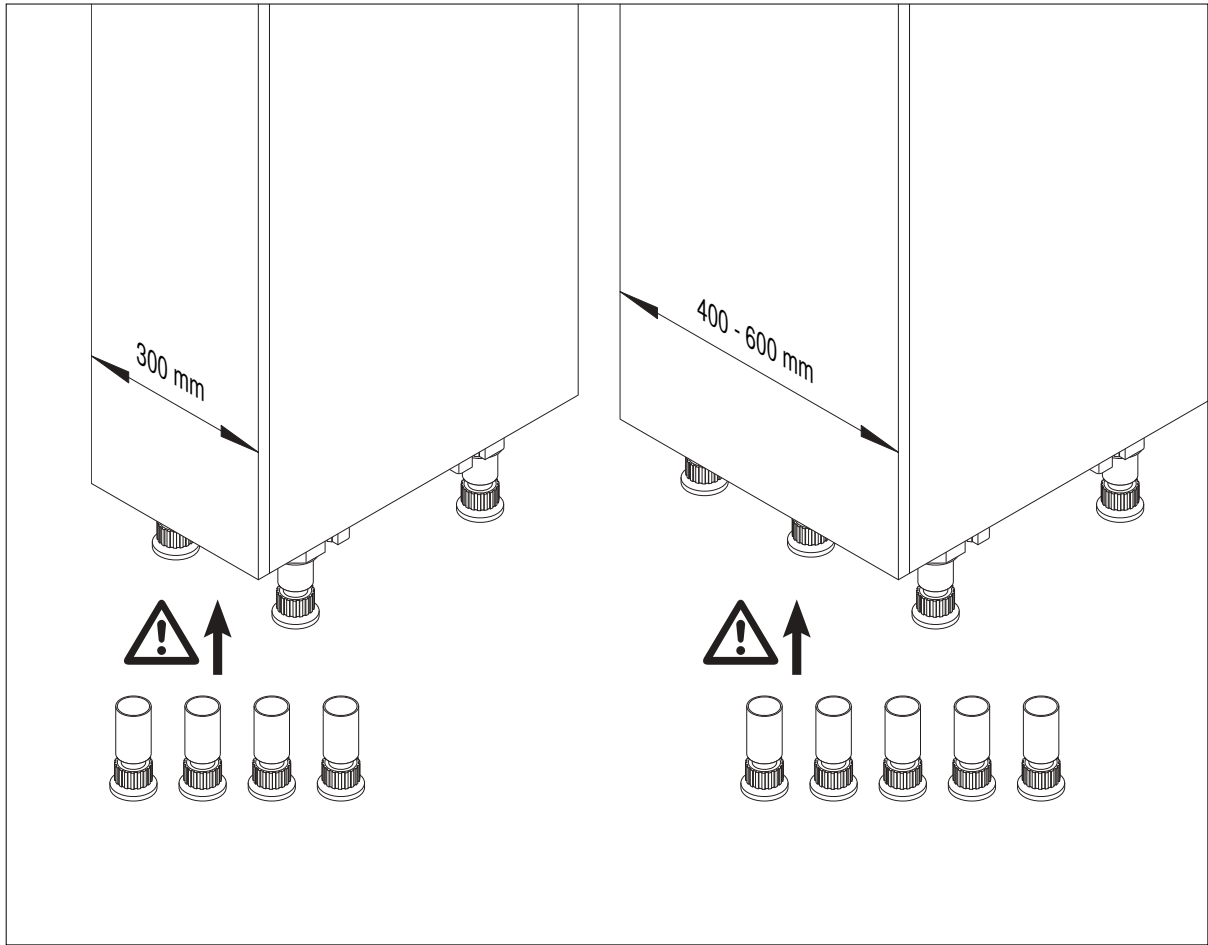




02 / 2012 / 039

HSA 500

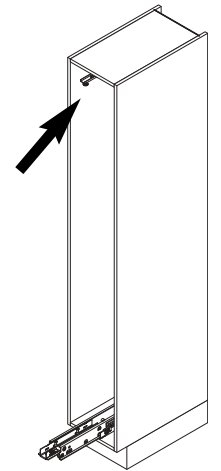
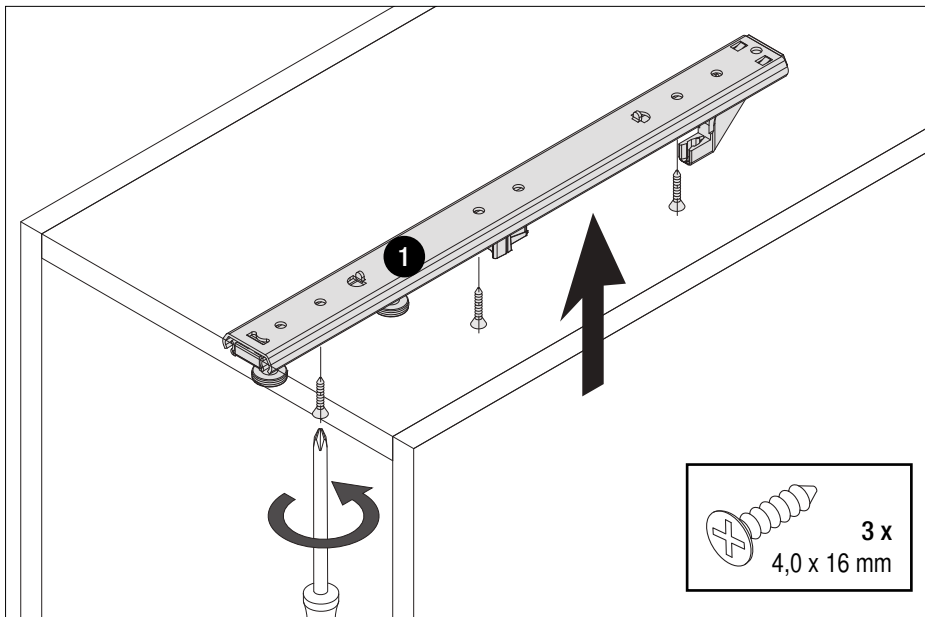




1



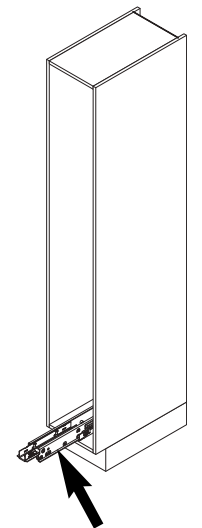
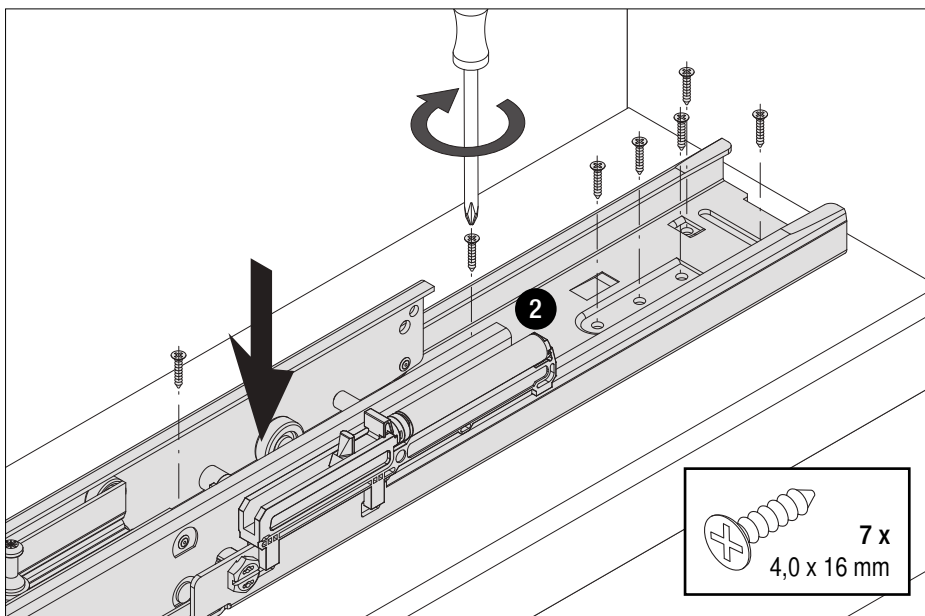
A



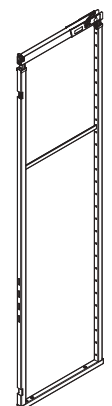
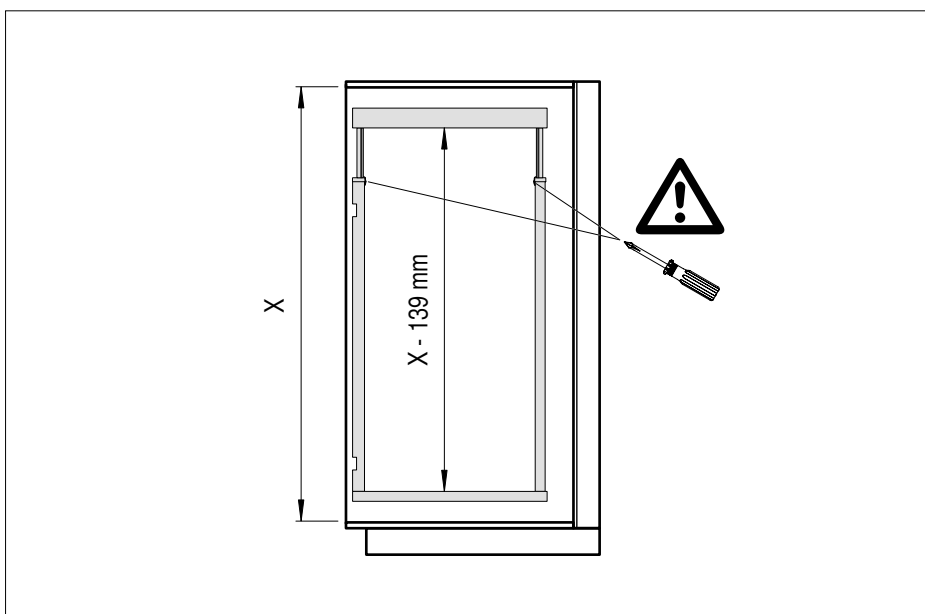
2



B



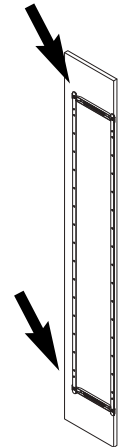
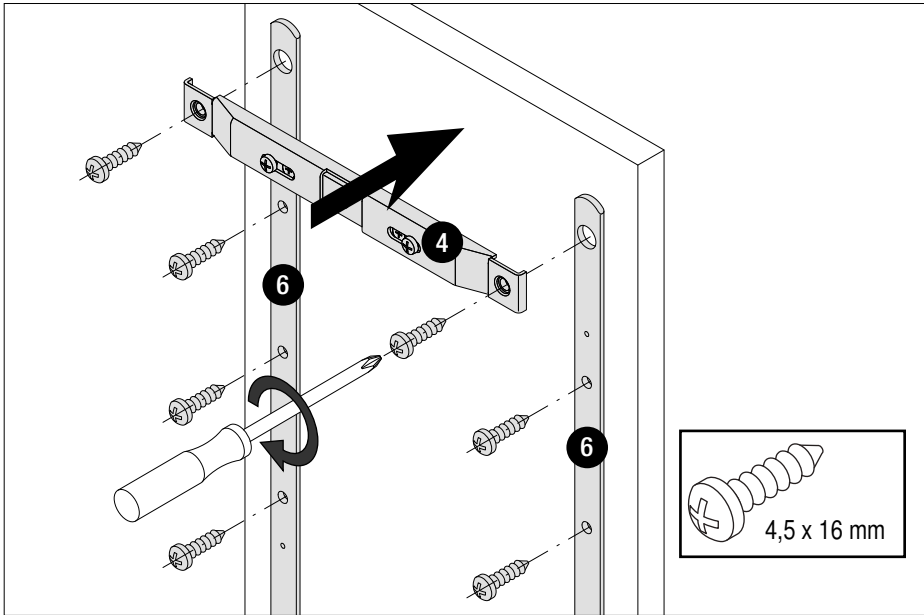
3



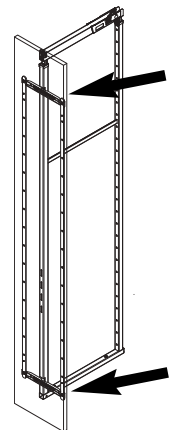
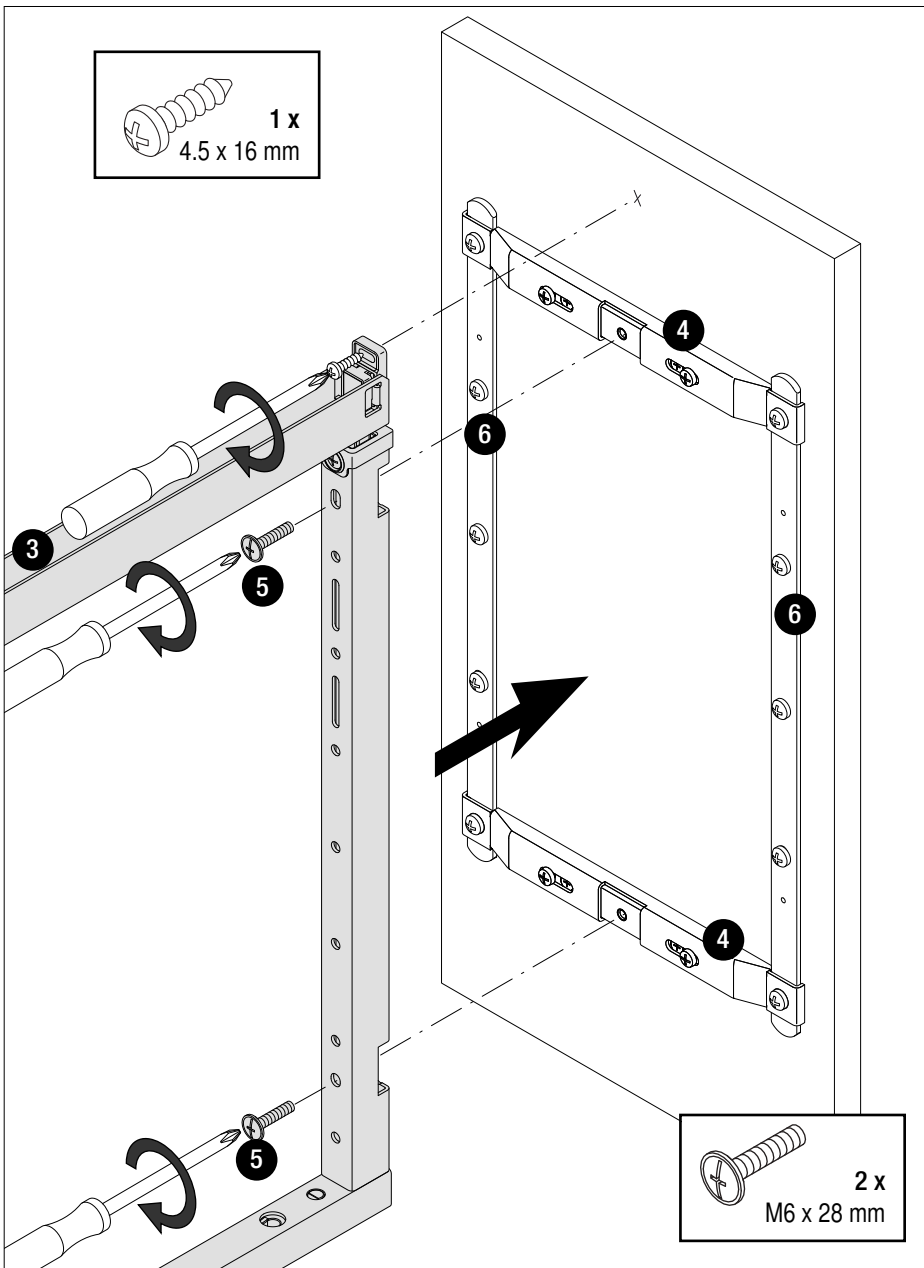
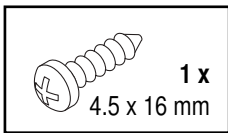
4



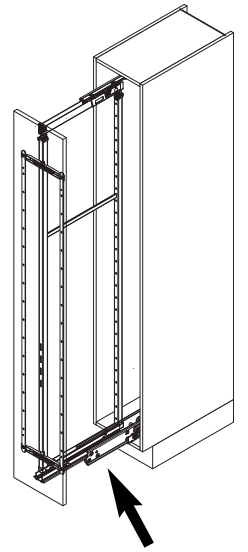
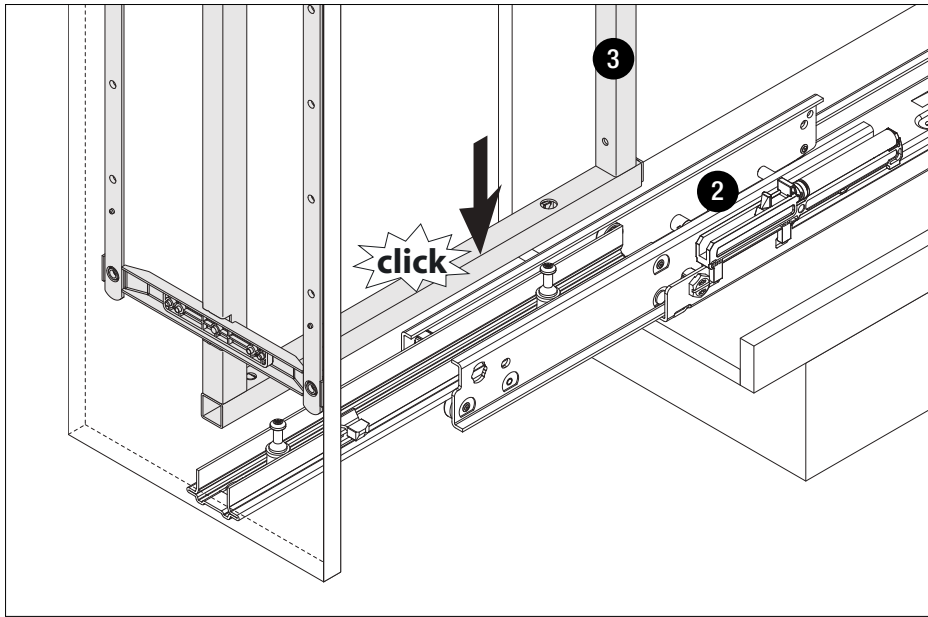
C



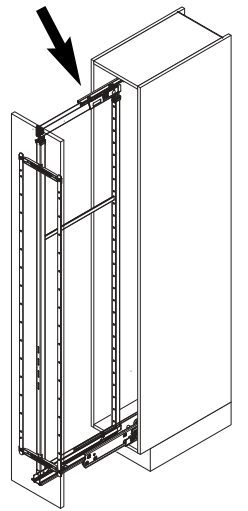
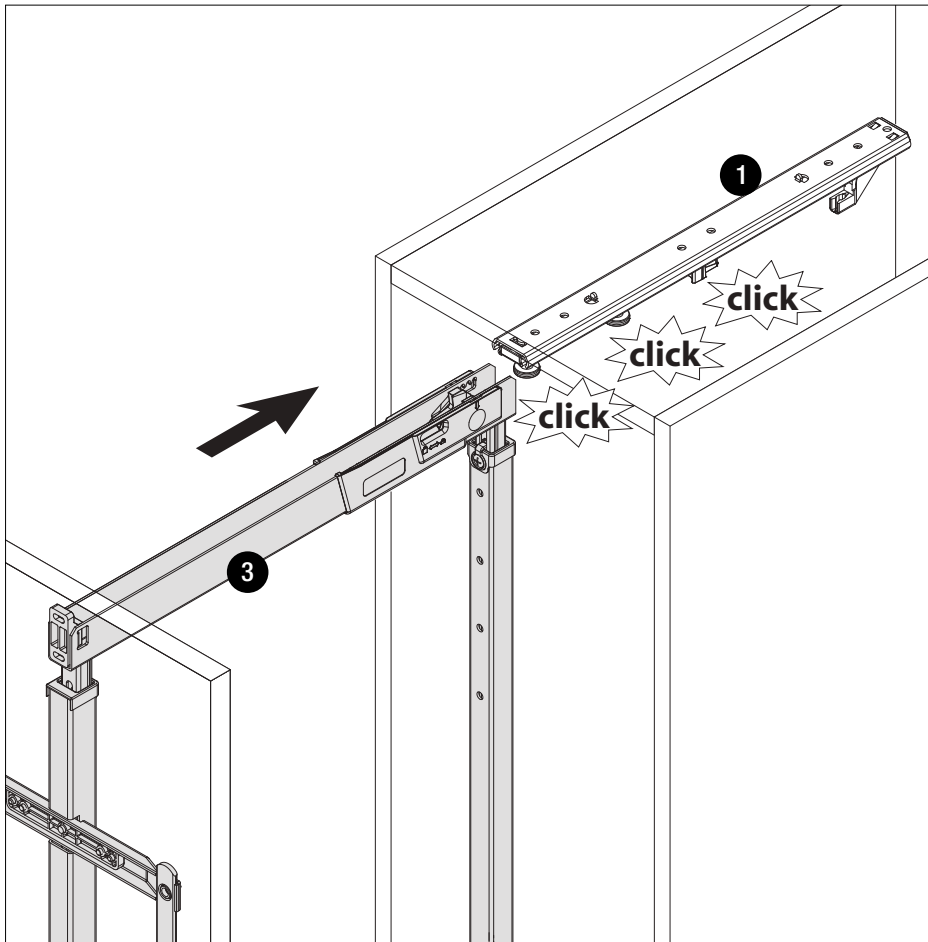
5



6

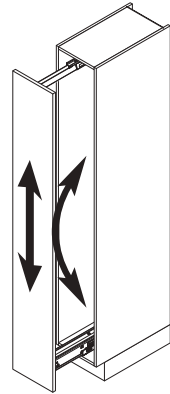
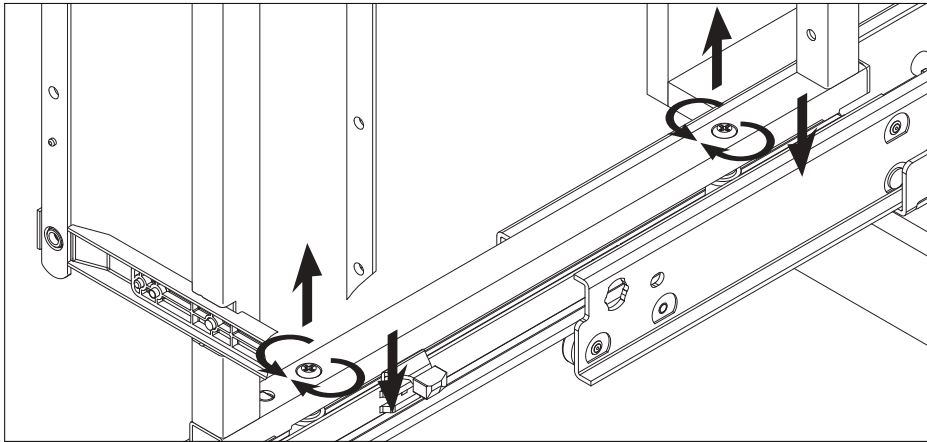
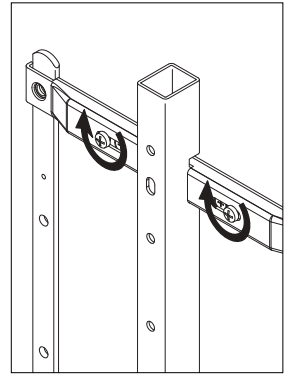
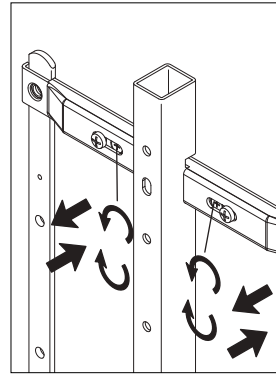
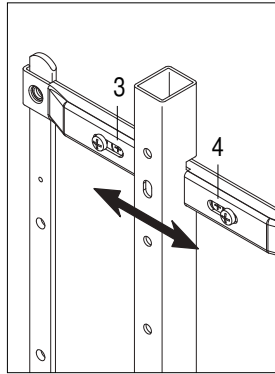
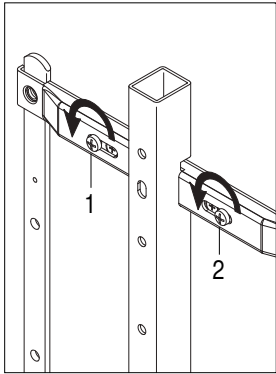
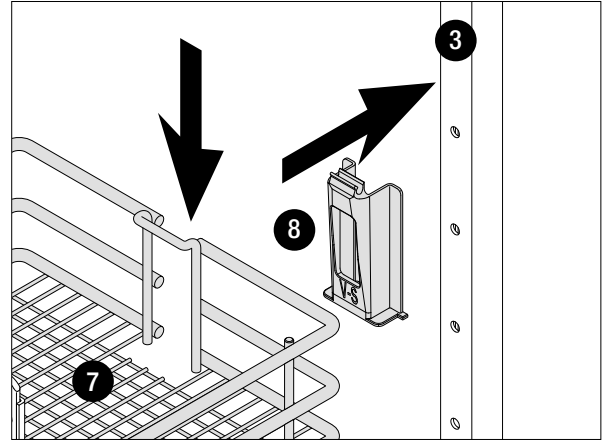
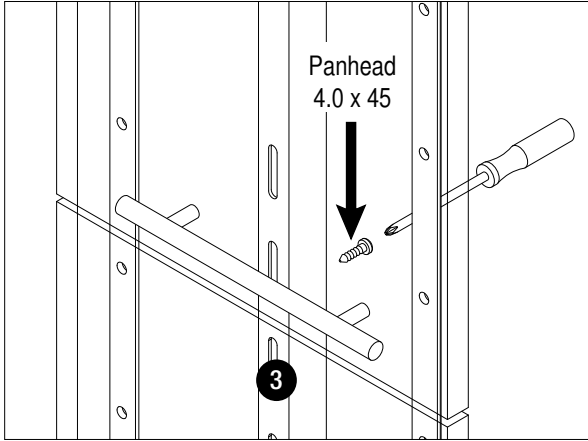


7



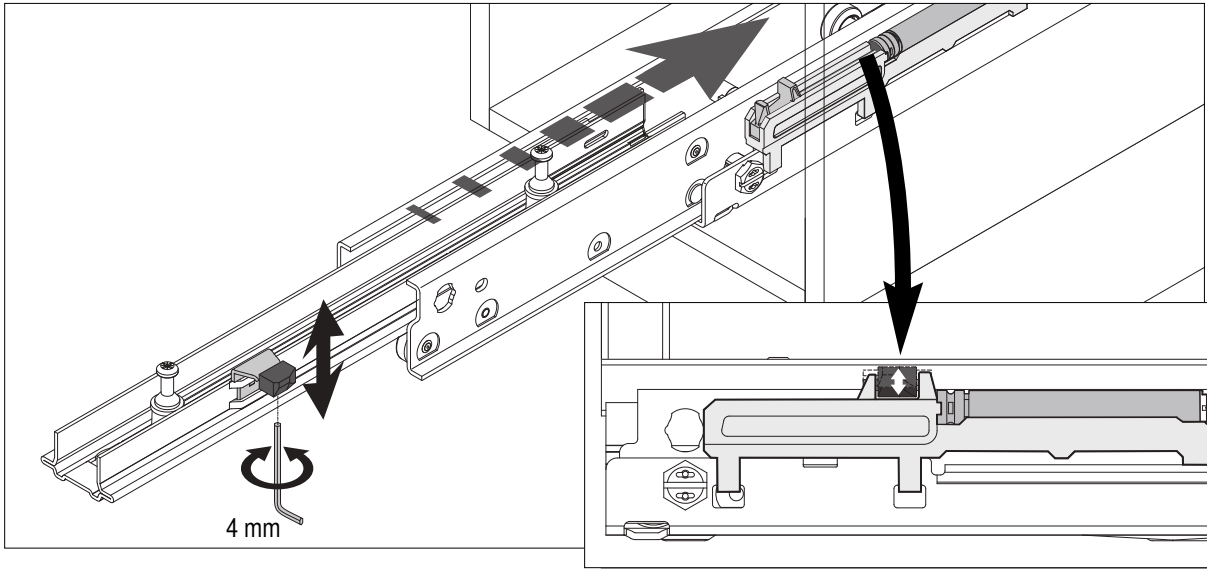


8

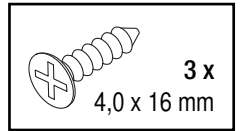
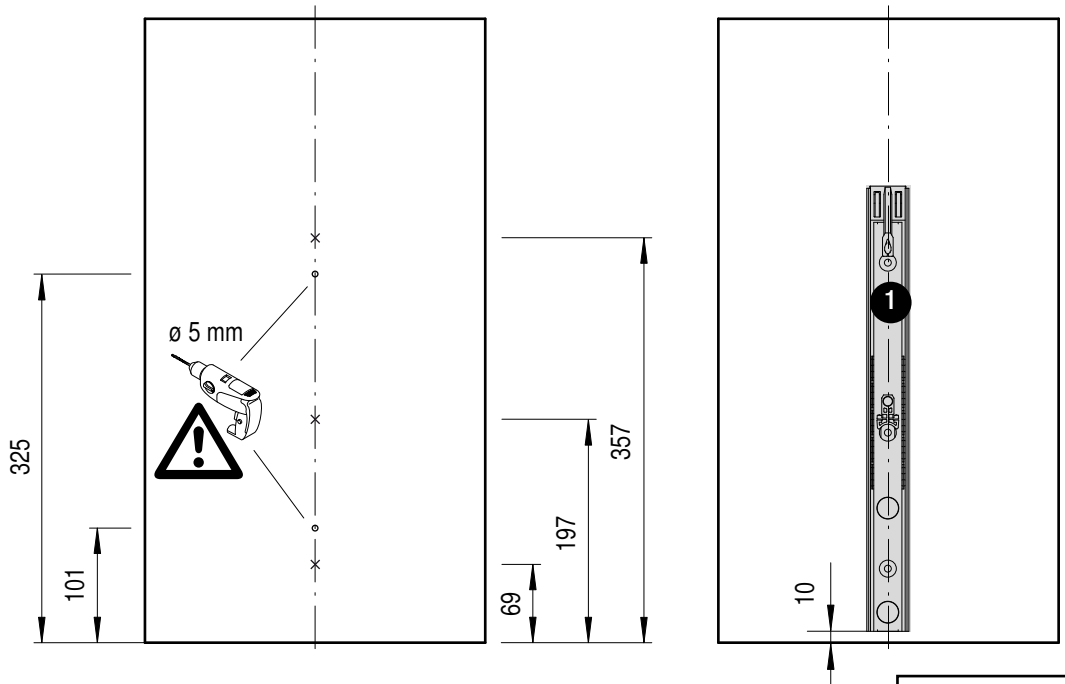
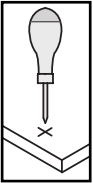


!

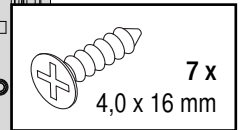
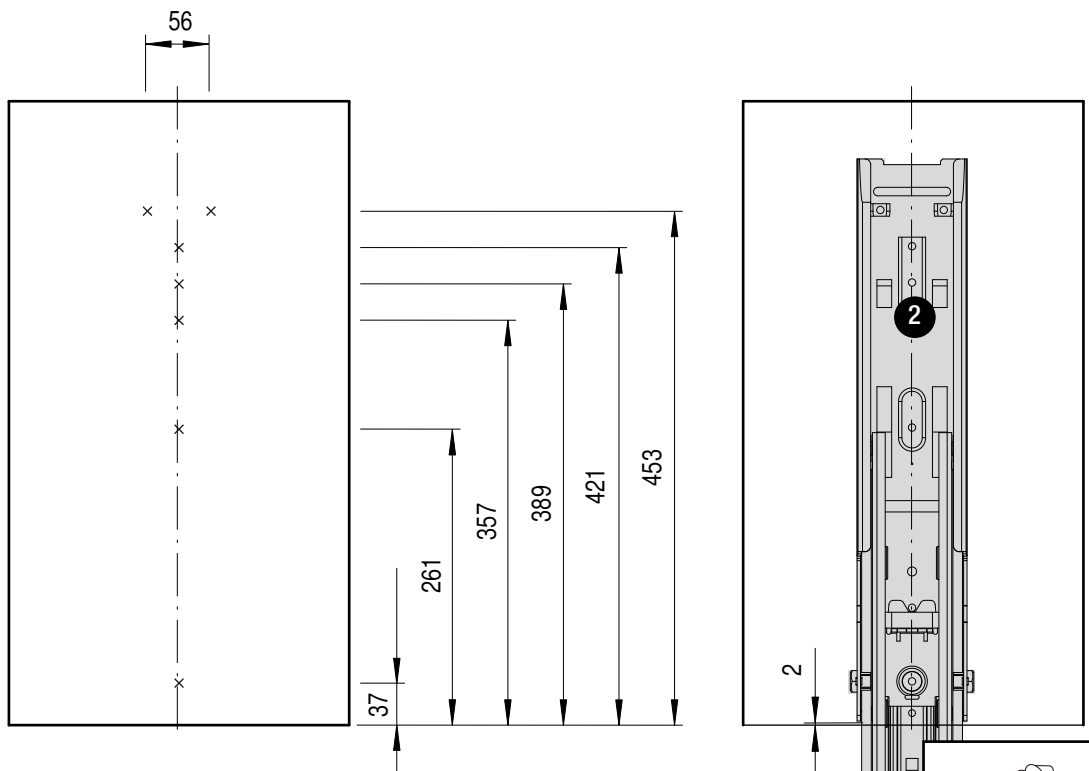
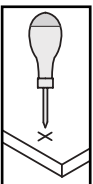
4 mm



A

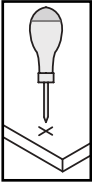


B





C



A	X
300	232 mm
400	325 mm
450	375 mm
500	425 mm
600	525 mm

	E	F	G	H	I
HSA 1	64 mm	96 mm	2 x 96 mm	256 mm	384 mm
HSA 2	64 mm	128 mm	4 x 96 mm	512 mm	640 mm
HSA 3	64 mm	112 mm	7 x 96 mm	768 mm	896 mm
HSA 4	64 mm	96 mm	10 x 96 mm	1024 mm	1152 mm
HSA 5	64 mm	128 mm	12 x 96 mm	1280 mm	1408 mm
HSA 6	64 mm	96 mm	14 x 96 mm	1408 mm	1536 mm
HSA 7	64 mm	96 mm	16 x 96 mm	1600 mm	1728 mm

